



Doc. Type	T S T		
Doc. Num.	N 098 00.01		
Doc. Part	001	Doc. Ver.	00
Date:	20.04.2018	Page 1 of 9	

CONTENTS

<i>Changes</i>	2
<i>Previous Editions</i>	2
1 SCOPE	2
2 APPLICATION	2
3 REFERENCES	2
4 RESPONSIBILITIES	2
5 GENERAL REQUIREMENT FOR PACKAGING DEVELOPMENT AND DEFINITION	3
6 GENERAL PACKAGING DEFINITION PROCEDURE	4
7 PACKAGING DESIGN IMPROVEMENTS	4
8 TYPES OF PACKAGING	4
9 APPROVED MATERIALS AND NOT APPROVED MATERIALS	4
10 EXPENDABLE / OVERSEAS PACKAGING REQUIREMENTS	4
11 CONTINENTAL AUTOMOTIVE PALLET STANDARDS	4
12 GENERAL PACKAGING REQUIREMENTS FOR ESD PROTECTION	4
13 PACKAGING FOR HAZARDOUS MATERIAL	4
14 TECHNICAL CLEANLINESS OF PACKAGING MATERAILS	4
15 USE OF RETURNABLE PACKAGING	5
15.1 Determination of Requirements for Boxes Owned by Continental	8
15.1.1 Box Purchasing	8
15.1.2 Empty Box Supplies	8
15.1.3 Empty Box Inventory Management	8
15.1.4 Empty Box Inventory Handling	8
15.2 Identification of Boxes	8
15.3 Handling of Special Boxes Owned by the Supplier	8
16 DELIVERY IN RETURNABLE SMALL LOAD CARRIERS (KLT)	8
16.1 Type of Small Load Carriers (VDA RL-KLT / VDA ESD RL-KLT)	8
16.2 Description of the Small Load Carriers (RL-KLT/ ESD RL-KLT)	8
16.3 Assembly of a Loading Unit with Small Load Carriers	8
16.4 General Requirements for Delivery of Small Load Carriers	8
16.5 Assembly of Loading Units for the Return of Empty Small Load Carriers	8
16.6 Shrinking, Stretching or Wrapping of Loading Units	9
17 Marking	9
18 ACCESSORIES / INTERNAL RACKAGING	9
19 CONTACTS @ SUPPLY CHAIN MANAGEMENT AUTOMOTIVE	9

Weitergabe sowie Vervielfältigung dieses Dokuments, Verwertung und Mitteilung seines Inhalts sind verboten, soweit nicht ausdrücklich gestattet. Zuwiderhandlungen verpflichten zu Schadenersatz. Alle Rechte für den Fall der Patent-, Gebrauchsmuster- oder Geschmacksmustereintragung vorbehalten.

The reproduction, distribution and utilization of this document as well as the communication of its contents to others without express authorization is prohibited. Offenders will be held liable for the payment of damages. All rights reserved in the event of the grant of a patent, utility model or design.

No guarantee can be given in respect of the translation. In all cases the latest English-Language version of this standard shall be taken as authoritative.

MITTEILUNG NR.
NOTE NO.

ERSTELLT DURCH
CREATED BY

GENEHMIGT VON
APPROVED BY

FREIGEgeben VON
RELEASED BY

© Continental AG. 2018

ZPA-17140012

A CEP HUB1 RBG
SCM LC3 –
M. Landstorfer

A CEP HUB1 RBG
SCM LC3 – O. Heusler

QPS –
U. Czerwon

Doc. Type	T S T		
Doc. Num.	N 098 00.01		
Doc. Part	001	Doc. Ver.	00
Date:	20.04.2018	Page 2 of 9	

Changes

Non – new release

Previous Editions

Supplementary plant specific requirements to Identification and Packaging Plant Regensburg
Version 1.1

1 SCOPE

- This standard applies to CA plant Regensburg and their suppliers worldwide. It is a “Supplement” to TST N09800.01.000 Version 00 and regulates all deviations or additional requirements for plant Regensburg. If there is no deviation it is noted as “No Supplement”.

2 APPLICATION

This TST standard is valid for deliveries to CA plant Regensburg

3 REFERENCES

- TST N 098 00.01-000 Packaging Definition, Process, Requirements for CA Plants and Suppliers worldwide
- TST N 098 00.03-000 Requirements on marking of good
- TST N098 01.01-000_Packaging-Specification-Data-Sheet
- TST N098 00.04-000 Packaging Standard Catalog

4 RESPONSIBILITIES

See contact persons at plant Regensburg SCM – at chapter 19

5 GENERAL REQUIREMENT FOR PACKAGING DEVELOPMENT AND DEFINITION

Storage, handling and shipment functions in addition to the protective functions

Returnable packaging shall only be delivered with stretch wrap. The free space at the foot of the pallet may be freed accessible and not covered on all four sides

- As a matter of principle, only loading units with the dimensions 1200x800x1000 mm (length x width x height) are permissible for pure grade delivery as well as for mixed shipments.

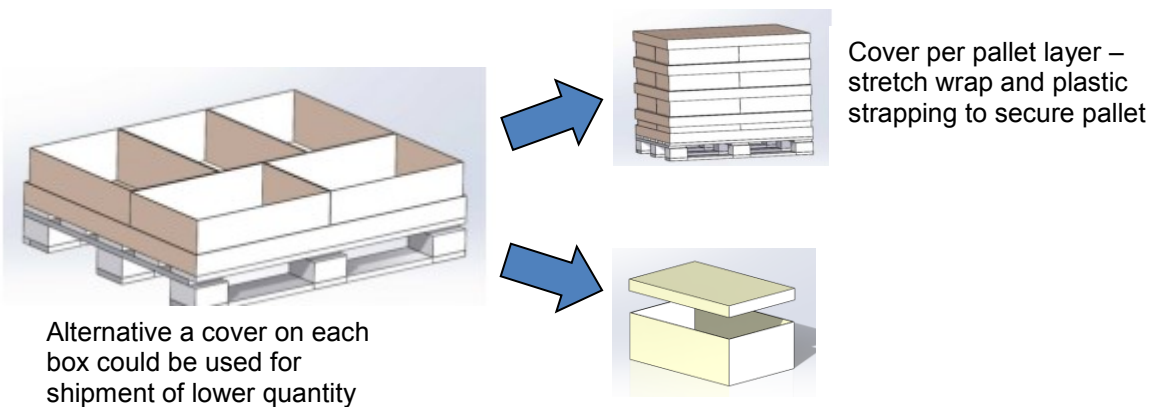
In case of expandable packaging with special inlays, it should be considered to design the packaging in such a way that repacking effort is low. Usage of this design rules depends on logistic parameter lot size, delivery frequency and units per delivery.

General Process for repacking



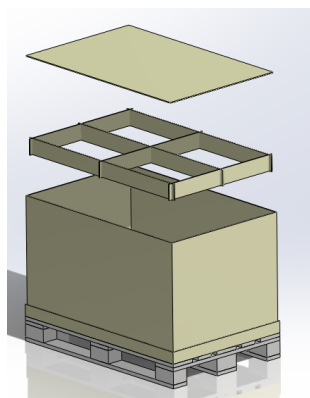
Possible transport packaging design

Variant A)



Variant B)

Transport unit with a sleeve on the pallet – inside sleeve a divider separates bundles – carton inlay to separate each layer



Doc. Type	T S T		
Doc. Num.	N 098 00.01		
Doc. Part	001	Doc. Ver.	00
Date:	20.04.2018	Page 4 of 9	

6 GENERAL PACKAGING DEFINITION PROCEDURE

No supplement

7 PACKAGING DESIGN IMPROVEMENTS

No supplement

8 TYPES OF PACKAGING

No supplement

9 APPROVED MATERIALS AND NOT APPROVED MATERIALS

No supplement

10 EXPENDABLE / OVERSEAS PACKAGING REQUIREMENTS

No supplement

11 CONTINENTAL AUTOMOTIVE PALLET STANDARDS

No supplement

12 GENERAL PACKAGING REQUIREMENTS FOR ESD PROTECTION

No supplement

13 PACKAGING FOR HAZARDOUS MATERIAL

No supplement

14 TECHNICAL CLEANLINESS OF PACKAGING MATERIALS

- If the part has a technical cleanliness requirement, all packaging components (e.g. boxes, cover and inlay) must be cleaned together at the same time. More details concerning cleanliness are regulated within the packaging specification data sheet (PSDS TST_N09801.01-000_Packaging-Specification-Data-Sheet). The supplier is responsible for the fulfillment of the cleanliness requirement. Our logistic department will return the empties only direct to the supplier. (Deviating unloading points with sub-supplier respectively cleaning company must be agreed by the container management).
- Shipments with dirty packaging will be complained in our incoming department and will be negative notified to the supplier's assessment.

15 USE OF RETURNABLE PACKAGING

Special bins or Supplier-Owned Packaging

- If returnable packaging is delivered without prior coordination or without an Ident-Number (e.g. bins designation, specified by plant Regensburg), the packaging is usually disposed of. This will not be a reason for any compensation claim.
- Usually, plant Regensburg does not provide special packaging material.
- If supplier-owned returnable packaging is approved, then an Ident-Number is assigned to this type of packaging. This Ident-Number always needs to be listed on the shipping note.
- The supplier is responsible for the cleanliness, as special packaging will not be cleaned by plant Regensburg. Exceptions need an agreement with the purchasing department.

The storage of purchased special packaging has to be arranged by the supplier. Empty special packaging will be collected up to an agreed number of units. Afterwards the packaging will returned to the supplier. Responsible for this process is the container management, see contact persons.

RETURNABLE bins, PALLETS AND COVERS USED AT PLANT REGENSBURG

KLT/totes designation: **B01**

Description: Euro-Fix-Box EF 6120 PPL 6
Size: 600 x 400 x 120 mm
Weight (tare): 1.7 kg

Usable inside dimensions: 552 x 352 x 95mm

Without grip opening.



KLT/totes designation: **B02**

Description: Euro-Fix-Box EF 6420 VB PPL 6
Size: 600 x 400 x 420 mm
Weight (tare): 6.2 kg

Usable inside dimensions: 552 x 352 x 355mm

Special version with reinforced double-bottom. Open inset type handles on the face.



KLT/tote KIT designation: **B169**

Description: VDA RL-KLT 4013 ESD
with cover D41

Size: 400 x 300 x 214 mm
Weight (tare): 1,54 kg + 0,3kg = 1,84kg

Usable inside dimensions: 345x 260x184*mm

*with cover



KLT/tote KIT designation: **B164**

Description: VDA RL-KLT 4047 ESD
with cover D41

Size: 400 x 300 x 147 mm
Weight (tare): 1,2 kg + 0,3kg = 1,5kg

Usable inside dimensions: 344x 264x118* mm

*with cover



KLT/tote KIT designation: **B165**

Description: VDA RL-KLT 6013 ESD
with cover D61

Size: 600 x 400 x 213 mm
Weight (tare): 2,54 kg + 0,76kg = 3,26kg

Usable inside dimensions: 544x 359x184* mm

*with cover



Designation: **G02**

Exchangeable EURO flat pallet based on
EPAL

Size: 1200 x 800 x 144 mm
Weight (tare): ~ 25 kg



Designation: **G74**

Plastic pallet ESD

Size: 1200 x 800 x 144 mm
 Weight (tare): ~ 20.5 kg
 Max. payload (static): 5.000kg
 Max. payload (dynamic): 1.250kg
 Max. payload in high rack: 1.000kg (racks with free, unsupported spans)



Designation: **D69**

Pallet cover

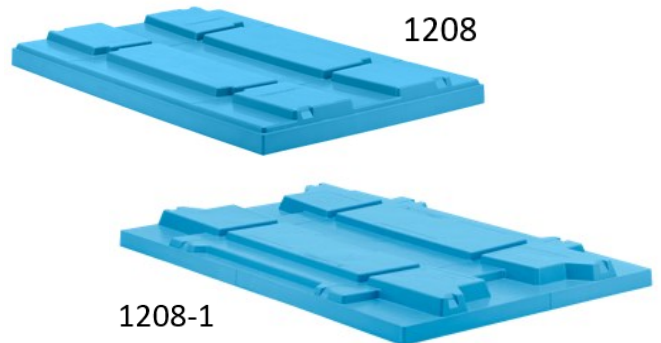
Size: 1200 x 800 x 55 mm
 Weight (tare): 2.5 kg



Designation: **D01**

VDA loading unit cover plate 1208 or 1208-1

Size: 1200 x 800 x 55 mm
 Weight (tare): 6.1 kg (1208)
 5.15 kg (1208-1)



Designation: **D02** (Cover for B01, B02 and B04)

Container cover

Size: 600 x 400 x 25 mm
 Weight (tare): 0.85 kg



Further applicable document TST N 098.00.04.000 – Continental Automotive Packaging Standard Catalog

15.1 Determination of Requirements for Boxes Owned by Continental

In general, the standard bins are provided to suppliers including transport time for maximum 15 working days. Another processing needs an individual signed agreement with our container management. If supplier needs additional bins an approval of container management is necessary.

15.1.1 Box Purchasing

No supplement

15.1.2 Empty Box Supplies

The order to get empty containers must be managed timely per Fax or E-Mail to the container management. Please take into account the mandatory transport time.

A timely supply of empties can be guaranteed, only if the container management has been received the order minimum 5 working days in advance.

The container management organizes the transport of empties and bears the transportation costs to the agreed place which has been agreed with the purchasing department.

15.1.3 Empty Box Inventory Management

No supplement

15.1.4 Empty Box Inventory Handling

No supplement

15.2 Identification of Boxes

No supplement

15.3 Handling of Special Boxes Owned by the Supplier

No supplement

16 DELIVERY IN RETURNABLE SMALL LOAD CARRIERS (KLT)

No supplement

16.1 Type of Small Load Carriers (VDA RL-KLT / VDA ESD RL-KLT)

No supplement

16.2 Description of the Small Load Carriers (RL-KLT/ ESD RL-KLT)

No supplement

16.3 Assembly of a Loading Unit with Small Load Carriers

No supplement

16.4 General Requirements for Delivery of Small Load Carriers

No supplement

16.5 Assembly of Loading Units for the Return of Empty Small Load Carriers

No supplement

16.6 Shrinking, Stretching or Wrapping of Loading Units

Returnable packaging shall only be delivered with stretch wrap, not for load securing but for protection against contamination with particles. The free space at the foot of the pallet may be freed accessible and not covered on all four sides

17 MARKING

For identification of incoming goods, plant Regensburg has implemented the 2D-Label according to specification TST N 098 00.03. This specification clarifies the identification on the defined smallest packaging units as well as on delivery documents.

If the supplier has got a general release from another plant as Regensburg, than the data management needs to be contacted as well to match the expected target data (purchase order data) with the data system on supplier side. In this case the supplier gets a plant specific release based on the data requirements at plant Regensburg.

The first shipment with the 2D-Label needs to be arranged with the data management. Otherwise the 2D-Label remains unproductive.

The productive usage of 2D-Label is only possible in coordination with the data management

If a delivery note comprises several pallets, then a numbering of pallets is necessary for the better assignment in proportion to the total number of pallets belonging to the delivery note (e.g. pallet 1 of 3, 2 of 3, 3 of 3 or 1/3, 2/3, 3/3)

18 ACCESSORIES / INTERNAL RACKAGING

No supplement

19 CONTACTS @ SUPPLY CHAIN MANAGEMENT AUTOMOTIVE

Contact persons at plant Regensburg SCM

Packaging Engineering

Manager	Phone	+49 (0) 941 790 9852
	Fax	+49 (0) 941 790 61847
	Mail	07RBSVFMRBGverpackungstechnik@continental-corporation.com

Container Management

Manager	Phone	+49 (0) 941 790 9852
	Fax	+49 (0) 941 790 61847
Empties accounts	Phone	+49 (0) 941 790 5643
Container order	Phone	+49 (0) 941 790 61783
	Mail:	07rbfmrbscontainermanagement@continental-corporation.com

Incoming Office

Manager	Phone	+49 (0) 941 790 6771
Execution	Phone	+49 (0) 941 790 4660
	Mail:	07RBFM184Wareneingang@continental-corporation.com

Data Management

Incoming goods & Identification	Phone	+49 (0) 941 790 5878
Ordering Code for labeling)	Phone	+49 (0) 941 790 4713